

Features

- Field selectable audio input voltage
- Activation capable either via contact closure or signal presence
- Isolated input/output signals



Description

The Evax ATM card is an audio transponder module that allows the user to interface an external audio source into an EVAX panel or deliver audio output from an EVAX panel into an external audio source. The ATM works as both input and output. The audio input must be a balance line and 1VRMS into 600 ohms. The ATM card is 1V, 25V and 70V selectable. It can be in conjunction with conventional EVAX panels and HMX master panels. The ATM is not supervised and is a non UL listed item.

Technical Specifications

Dimensions	3" x 3" Mounting holes 0.160" diameter
Primary Power	24 VDC
Electrical Ratings	0.015A Standby 0.035A Active
Audio Input	25V, 70V or 1V/600 Ohm
Audio Output	600 Ohm

Wiring Diagrams

Fig 1

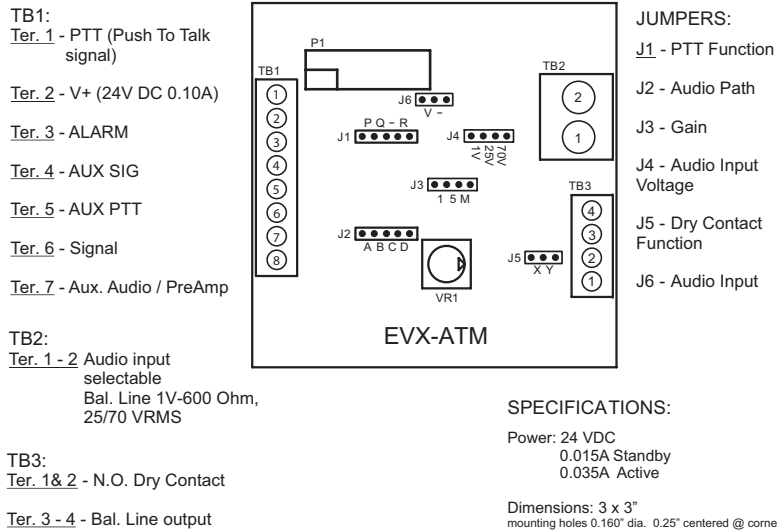


Fig 2

External Audio into the Evax System

N.O. dry relay contact provides activation

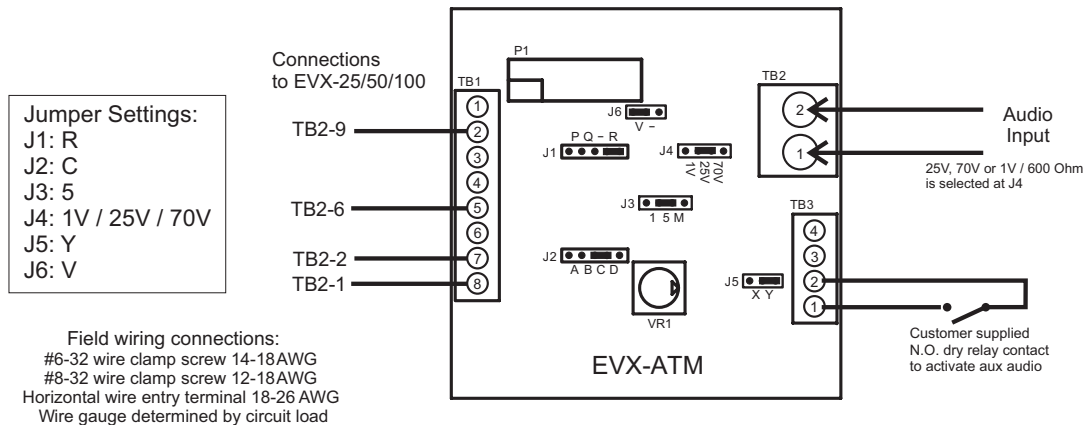


Fig 3

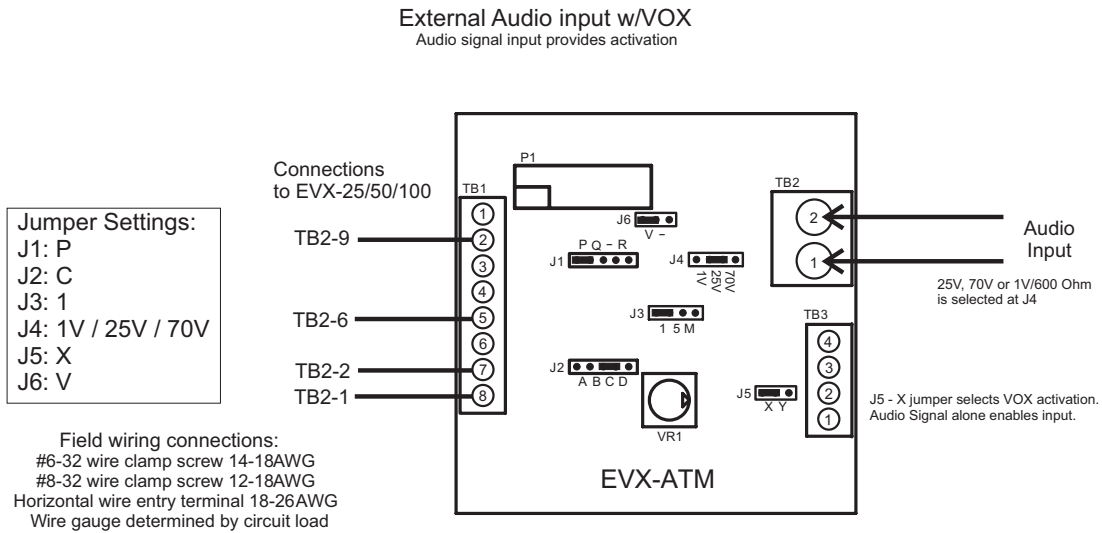


Fig 4

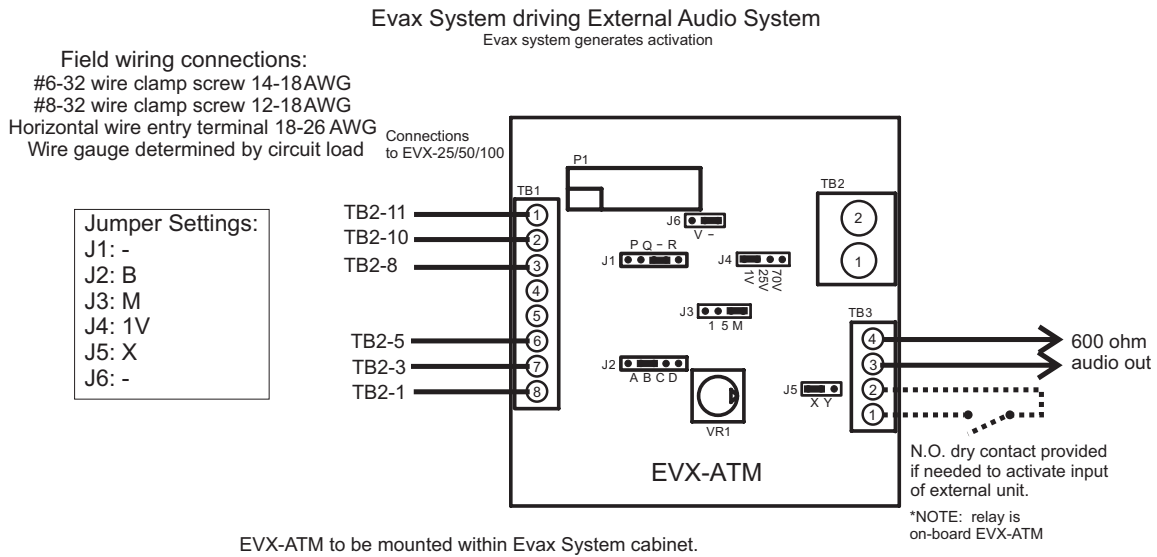


Fig 5

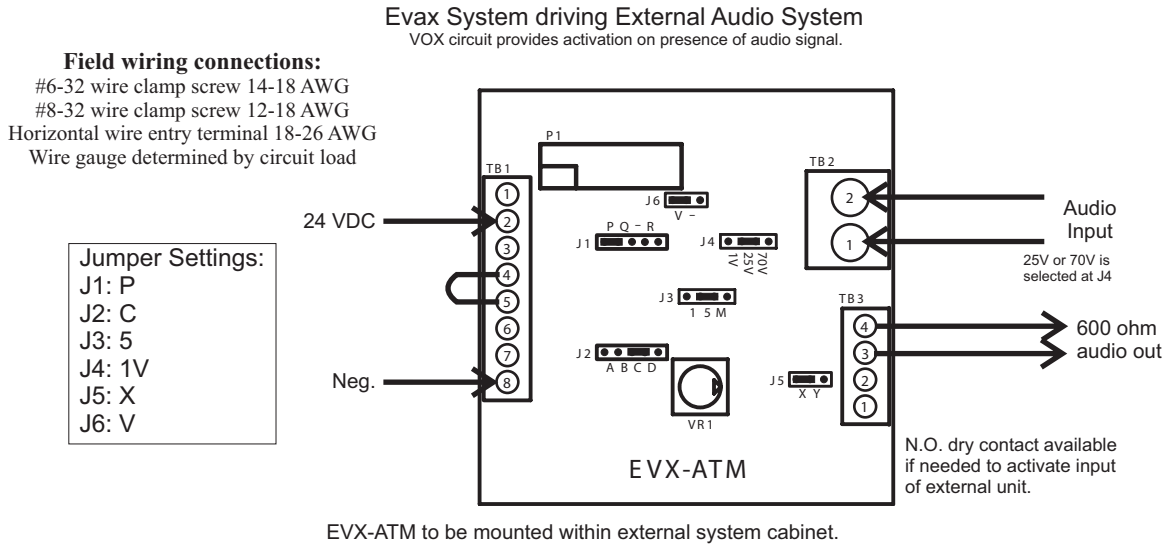


Fig 6

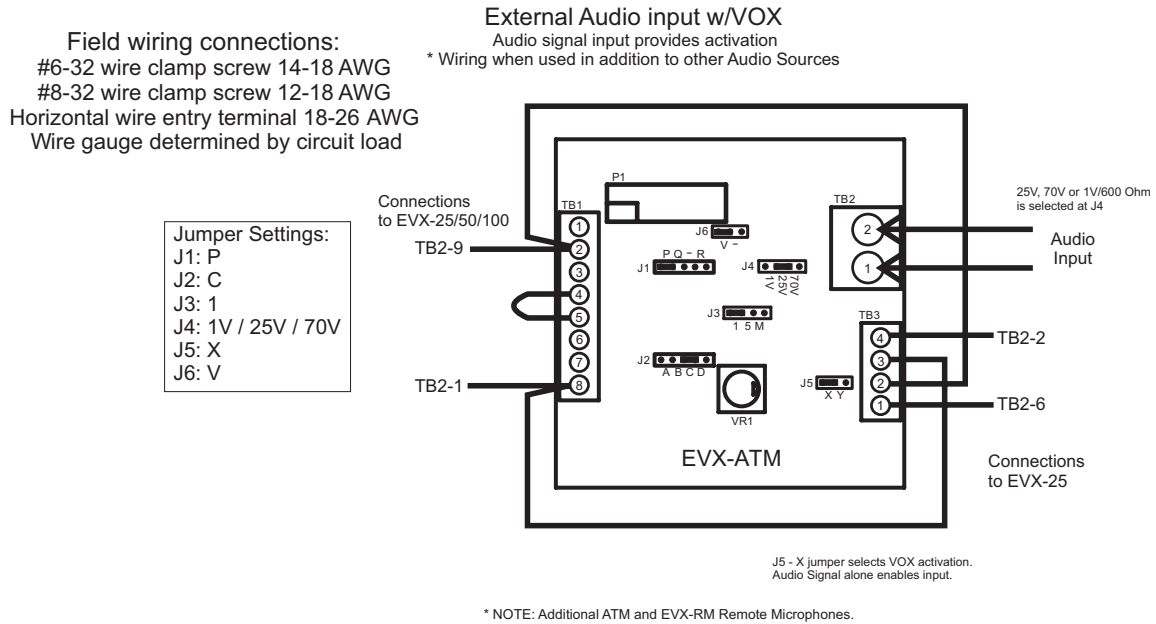
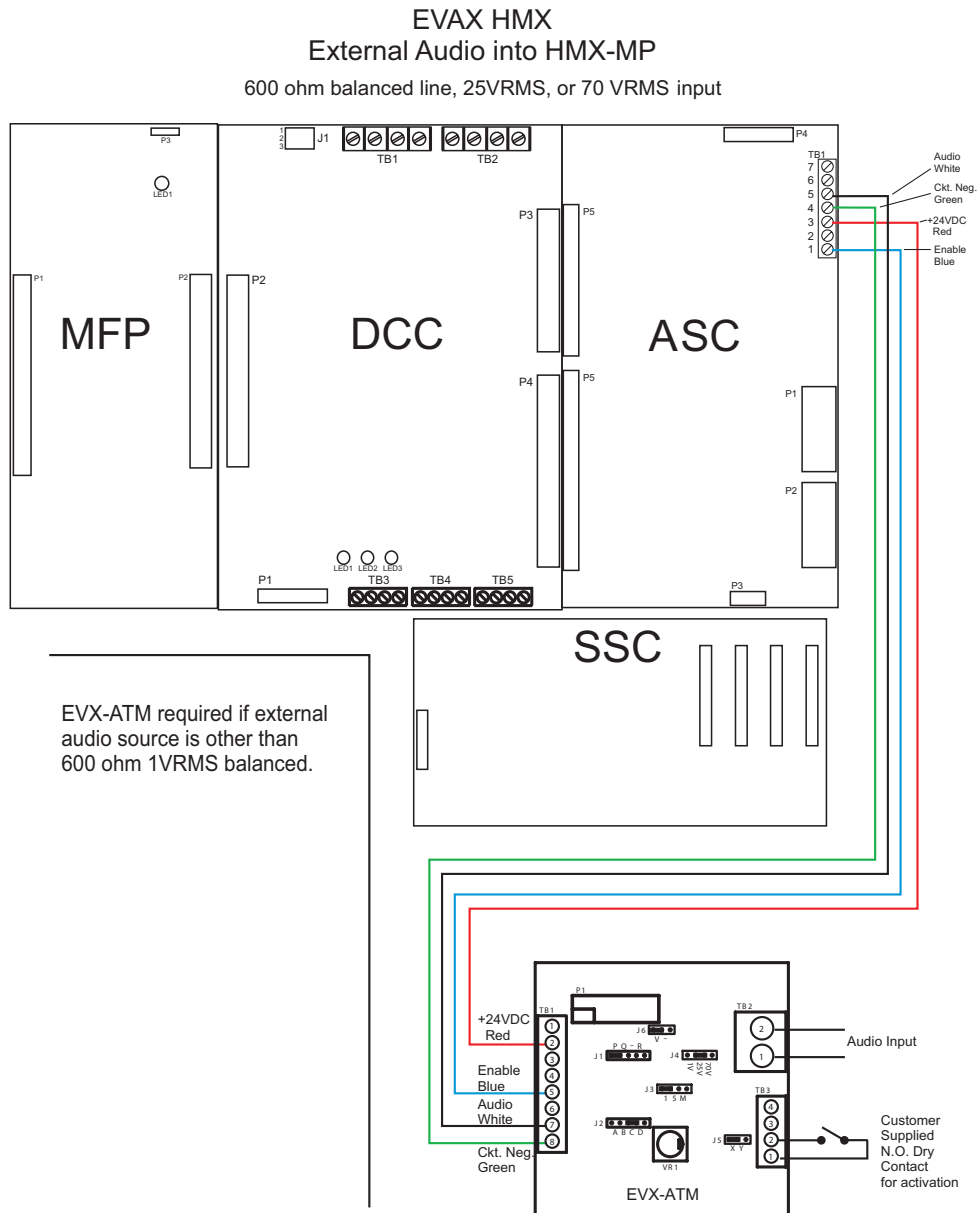


Fig 7



Ordering Information

Model	Description
EVX-ATM	Audio Transponder Module