

Features

- Multiple tone capability
- Wide selection of tones (single tone applications) U-TC
- Voice capable with PTCK audio interface card
- Die-cast aluminum circuitry housing
- Internal gain control
- NEMA 3 rated enclosure
- Indoor and outdoor mounting



Description

CPG Signals Model ASHH PowerTone® Amplified Speaker is designed for use in hazardous locations. The unit produces a crisp clear high decibel tone. The tone may be generated by a voice or tone generating system by a compact, solid-state, plug-in card. The speaker cone and projector are of spun aluminum. The circuitry and tone card are contained in dust and moisture proof sealed housing of die-cast aluminum. An internal gain control allows for volume adjustment.

The amplified speaker is listed for indoor/outdoor use, NEMA 3 rated and is finished in red enamel. Model ASHH Amplified Speakers operate at 24 VDC and are polarized for connection to system supervised alarm notification circuits. Weatherproof and corrosion resistant surface mount speaker is required.

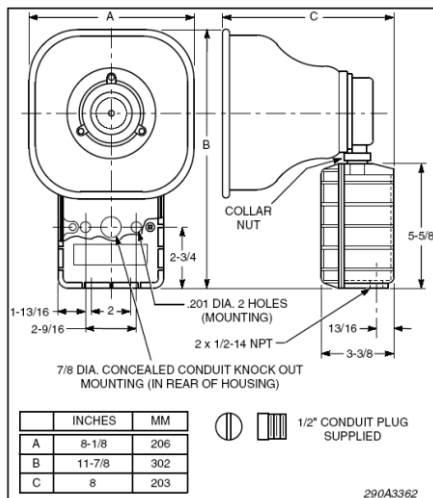
Application

The Powertone® Amplified Speaker is well suited for signaling in hazardous areas with high ambient noise levels and where a unique audible signal is required. The speaker is suitable for use in National Electrical Code (NFPA 70; Class I, Groups A, B, C and D, Division 2; Class II, Groups F, G, Division 2; Class III hazardous locations. When used in conjunction with a voice or tone generating system and PTCK25 connector card, the speaker can produce multiple tones for various signal requirements. For single tone applications the universal tone card may be used. The speaker may be used with any compatible 25 or 70Vrms audio system by using the PTCK25 or PTCK70 connector card. The ASHH is NEMA 3 rated.

Technical Specifications

Model Number	ASHH-24SMR
Operating Voltage	24 VDC Polarized
Current Draw	.26A
Material	Speaker: Spun Aluminum Housing: Die-Cast Aluminum
Operating Temperature Range	-40°F to 151°F

Tone Card Sound (Model UTC)			Audible Frequency (Hz)	Repetition rate (cycles/min)	Audibility	
Selection	Name	Description			dB(A) Sound Power	UL dB(A) Sound Pressure
TM1	Wail	Conventional siren	550-1250	11	118.1	97.5
TM2	Yelp	Rapid siren	550-1250	3.3 Hz	118.0	97.4
TM3	Hi-Lo	Alternating high and low	560 and 760	50	116.9	96.3
TM4	Bell	Bell, struck repeatedly	800	50	115.8	95.2
TM5	Yeow	Descending high to low, repeated	1300 and 550	36	118.0	97.4
TM6	Horn	Steady horn	470	Continuous	112.2	91.6
TM7	Beep	Slow intermittent horn	470	50	110.8	90.2
TM8	Stutter	Rapid intermittent horn	470	5	110.3	89.7
TM9	Slow Whoop	Slow ascending, low to high - repeated	420 and 1160	15	116.1	95.5
TM11	Temporal Slow Whoop	NFPA coded slow whoop (fire alarm use only)	420 and 1160	15	113.9	93.3
Connector card model			Rated voltage			
PTCK25			25 VRMS		108.2	93.6
PTCK70			70 VRMS		107.7	93.1



Engineering Specifications

Alarm notification appliances shall be amplified speakers using solid-state circuitry designed for use in hazardous locations. The speakers shall operate at 24 VDC and polarized for DC supervision. The amplified speaker circuitry shall be housed in a die-cast, dust and moisture proof aluminum housing which is NEMA 3 rated. The speaker cone and projector shall be of spun aluminum, mounting hardware shall be stainless steel. The entire unit shall have a red finish. The amplified speakers shall be capable of clearly reproducing any number of tones. The tones shall be selectable by connection to a voice or tone generating signaling system using a PTCK25 connector card (for single or multiple tones) or a plug-in tone card (for single tone). The amplified speaker shall be compatible with any 25 or 70Vrms audio system using the PTCK25 or PTCK70 connector card. The amplified speakers shall have an internal gain control for tone output adjustment.

The amplified speakers shall be capable of indoor or outdoor mounting. The amplified speakers shall be suitable for use in National Electrical Code (NFPA 70): Class I, Groups A, B, C and D, Division 2; Class II, Groups F, G, Division 2; Class III hazardous locations. The amplified speakers shall be capable of a UL sound pressure level at 10 feet of 97dB(A). The speakers shall be UL Listed for fire alarm signaling use. Alarm notification appliances shall be ASHH Powertone® Amplified speakers.

WARNING

- Installation must be performed by qualified personnel and in accordance with all national and local codes and ordinances.
- Shock hazard. Disconnect power source before servicing. Serious injury or death could result.
- Read all instructions carefully and understand them before starting installation. Save instructions for future use. Failure to read and understand instructions could result in improper operation of device resulting in serious injury or death.

Ordering Information

Part Number	Ordering Part Number	Description
ASHH-24SMR	1460231	Amplified Speaker for use in hazardous areas
U-TC	1460236	Universal Tone Card - Field selectable to desired tone
PTCK25	1460237	25Vrms Connector Card - Connects to amplified speakers to 25 Vrms audio system
PTCK70	1460238	70Vrms Connector Card - Connects to amplified speakers to 70 Vrms audio systems