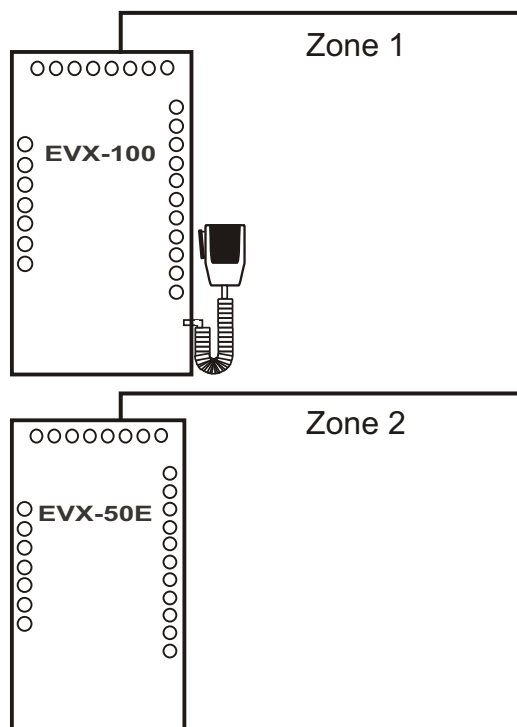
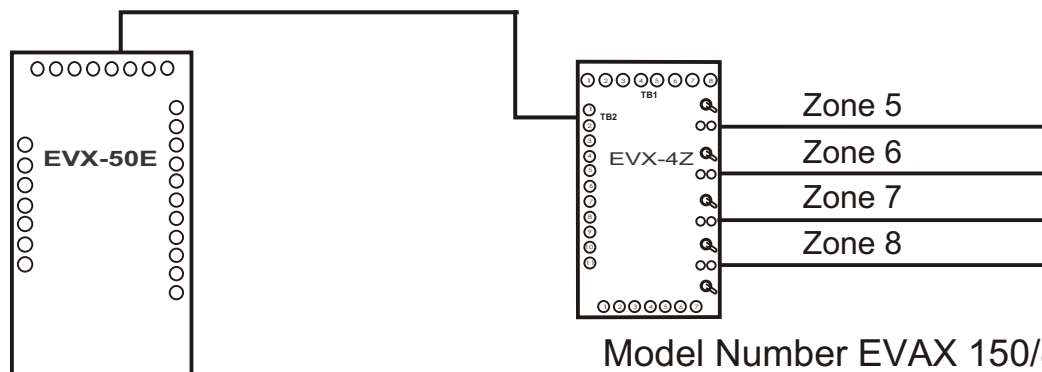
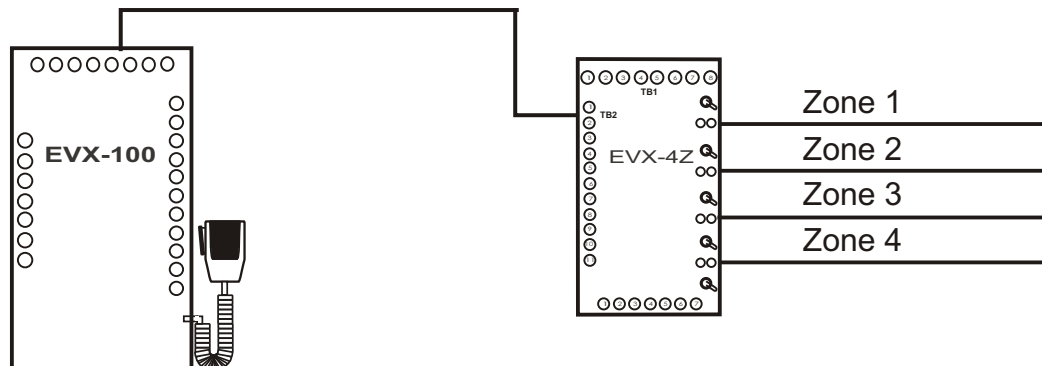


Pre-Engineered Systems Configurations



Model Number EVAX 150



Model Number EVAX 150/8Z

Functional Block Diagrams

Maximum Load for each Evacuation Speaker Circuit is 25 Watts (15W for an EVAX 25). Never exceed the total wattage of the amplifier.