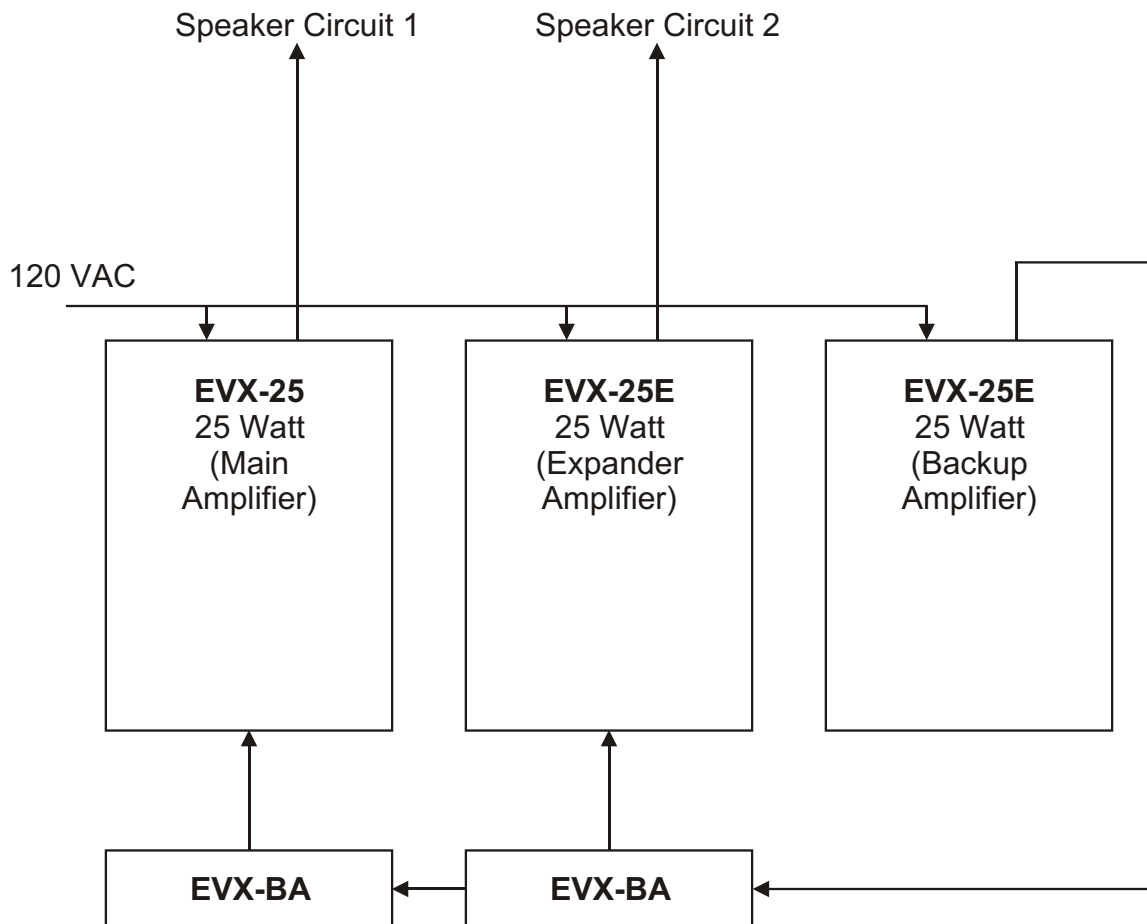


Voice Evacuation System with Backup Amplifier



Notes:

- 1) This type of configuration will allow the use of a single amplifier as a backup for up to two (or more) amplifiers of the same size.
- 2) Shown in the block diagram above are EVAX 25 amplifiers, however if the Main Amplifier and the Expander Amplifiers are EVAX 50, or EVAX 100, (50/100 Watt), then the backup amplifier must also be 50/100 Watt.
- 3) One Model Number EVX-BA is required for each amplifier which is to be backed up.